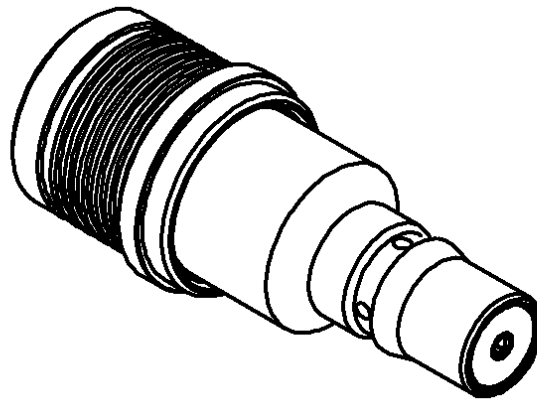
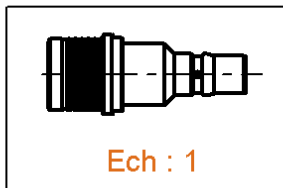
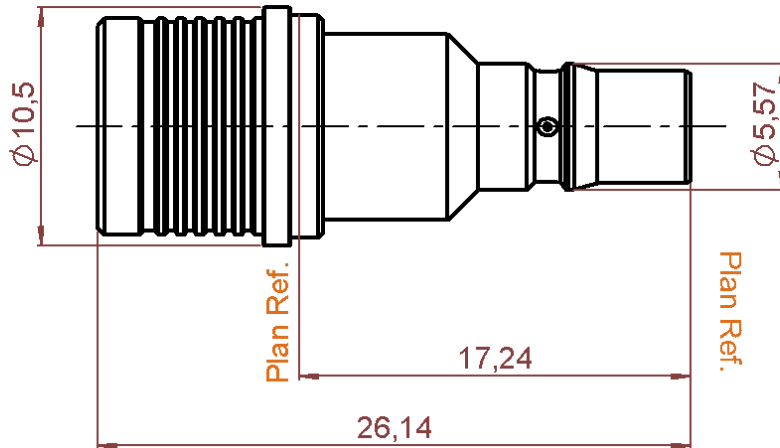



3 GHZ 1W 19 DB QMA ATTENUATOR

R411.719.124

Series : ATTENUATEUR



All dimensions are in mm.

COMPONENTS	MATERIALS	PLATINGS (µm)	
BODY	BRASS	BBR 2	
CENTER CONTACT	BERYLLIUM COPPER	GOLD 1.3 OVER COPPER 2.5	
OUTER CONTACT	BRASS	BBR 2	
INSULATOR	PTFE		
GASKET			
OTHERS PARTS			

Issue : 0410 B

In the effort to improve our products, we reserve the right to make changes judged to be necessary.



3 GHZ 1W 19 DB QMA ATTENUATOR

R411.719.124

Series : ATTENUATEUR

ELECTRICAL CHARACTERISTICS

Frequency	2 GHz	2 - 3 GHz	GHz	GHz	GHz
V.S.W.R	≤ 1.20	≤ 1.30	≤	≤	≤
Deviation	± 0.70 dB	± 0.70 dB	± dB	± dB	± dB

Impedance 50 Ω
 Nominal attenuation 19 dB
 Average power at 25°C 1 W
 Peak power at 25°C 100 W(1μs, 1%)

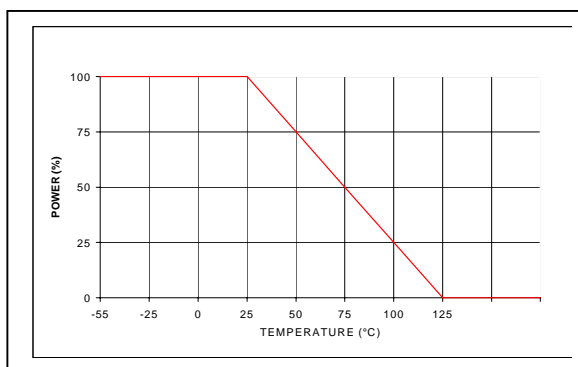
MECHANICAL CHARACTERISTICS

Connectors QMA
 Weight 6.180 g

ENVIRONMENTAL

Operating temperature range -40 / +85 °C
 Storage temperature range -40 / +85 °C

Power derating
 Versus temperature



SPECIFICATION

OTHER CHARACTERISTICS

Issue : 0410 B

In the effort to improve our products, we reserve the right to make changes judged to be necessary.

